

# SOL Plus | Designed for High Volume Dental Printing



## High Production Volume meets Precision

- Prints up to 28 full arches vertically & 8 full arches flat
- 45 um XY pixel size creates smooth & fine prints reliably



## Enhanced Print Performance

- Built-in Thermal Agitator (heating rod) for optimal print results
- Heats from 63°F to 83°F in 5 minutes



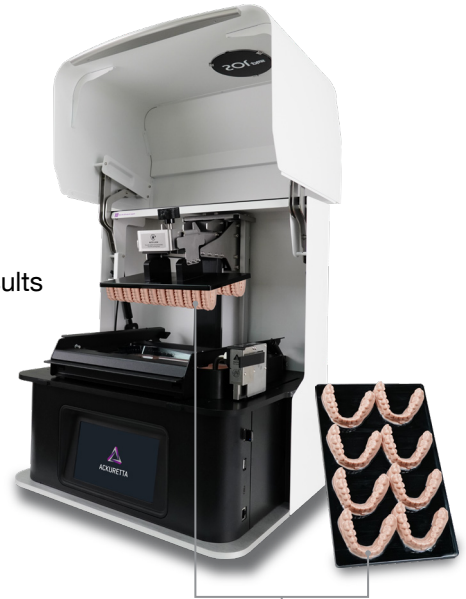
## Validated, Versatile Solution for Dentistry

- Validated with industry-leading 3D printing resins for FDA and Canada Health approved workflows



## Concierge Service Included

- Remote onboarding, training & support throughout 2-Year Warranty



Up to **28 Full Arches** Nested Vertically and **8 Full Arches** Nested Horizontally

## Built to be Reliable & Intuitive



Robust Metal Construction



Easy Access Door for Maintenance



Natively integrated with CURIE Plus



2-Year Warranty



**Item Numbers:**

SOL Plus with Concierge: RS110010241 | CLEANI: RS110010246 | Tank Plus Accessory: RS110010248 | CURIE Plus: RS110010162



# SOL<sup>plus</sup>

## Technical Specifications



**3D Print Technology**  
LCD



**Print Area**  
12.7 (W) x 21.8 (D) x 12 (H) cm  
5 (W) x 8.6 (D) x 4.7 (H) in



**UV Wavelength**  
385-405 nm



**Dimensions**  
44 (W) x 37 (D) x 50.5 (H) cm  
17.3 (W) x 14.6 (D) x 19.9 (H) in



**XY Resolution**  
45 µm



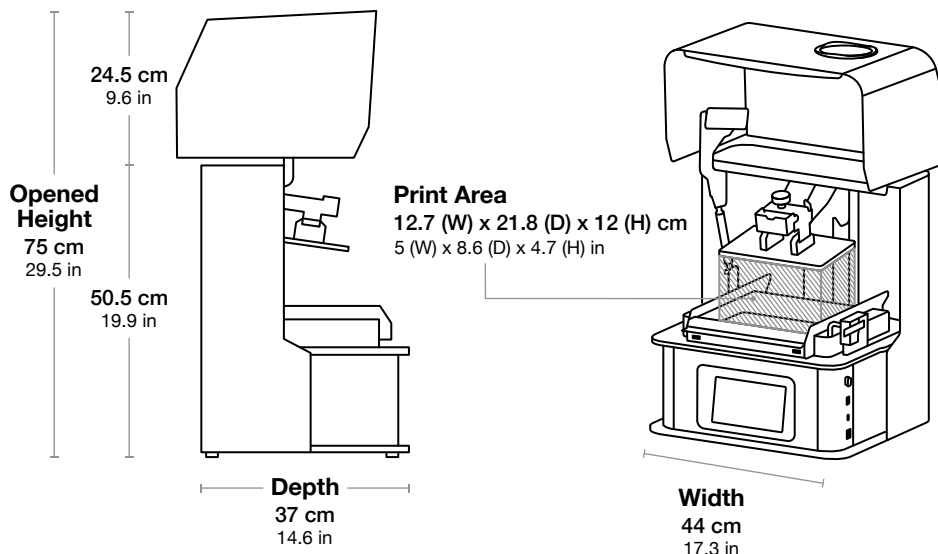
**Power Input**  
100-240VAC, 50-60Hz



**Weight**  
Approx. 30 kg  
Approx. 66 lbs



**Layer Thickness**  
30-150 µm



### PACKAGE CONTENTS

- 1x SOL Plus 3D Printer
- 1x **XL**<sup>plus</sup> Build Platform
- 1x Heating Rod / Thermal Agitator
- 1x Ethernet Cable
- 1x Power Cable
- 1x WiFi-Dongle
- 1x Hex Key
- 1x Vat & Vat Storage Box
- 1x Starter Tool Kit
- 1x Concierge Service Box

**Schedule  
a Virtual Demo!**

